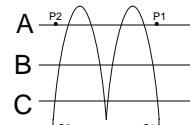
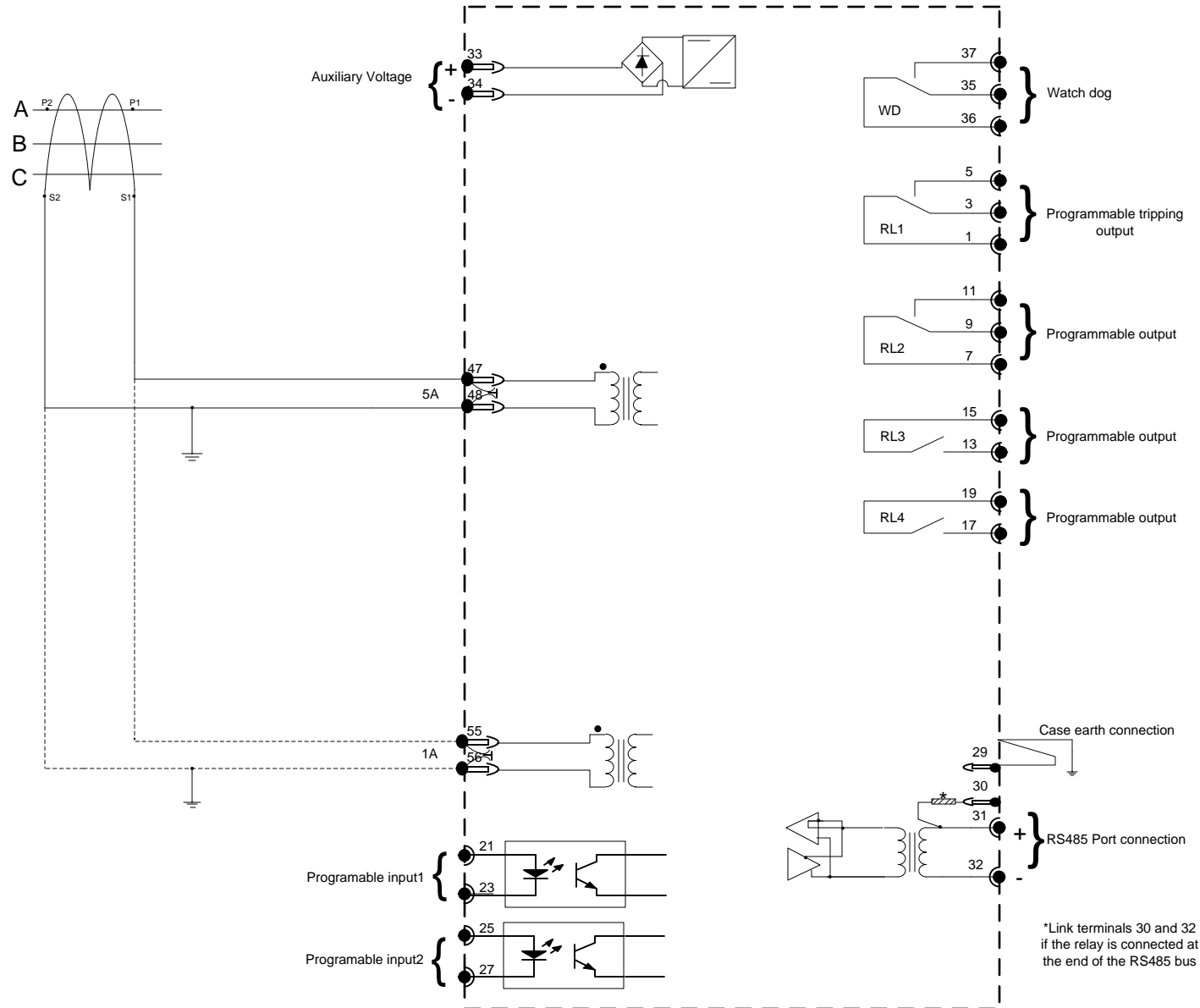


Module Terminal Blocks  
Viewed from rear  
(with integral earth link)



The current input are connected to core balanced CT



\*Link terminals 30 and 32 if the relay is connected at the end of the RS485 bus

Note :

- (1) (a) CT shorting links make before (b) and (c) disconnect
- (b) Short terminals break before (c)
- (c) Long terminals
- (d) Pins terminals (pcb type)

(2) Vx 48-150Vdc or 35-100Vac

<p>Hamian fan Co.</p>	Date: 96/04/17	Page 1/1	Drawn By: S. Maddah
	Revision: V 002		Checked By: M. Dastjerdi
	HF1021(DOA0.1)		Approved By: K. Araghi