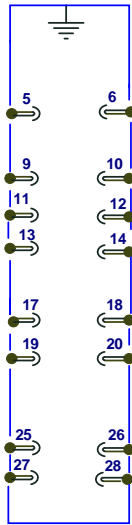


Case earth



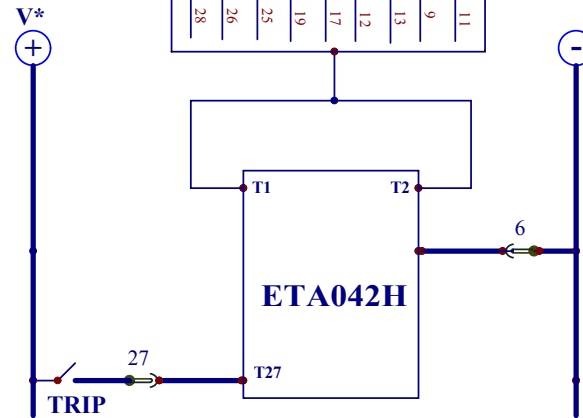
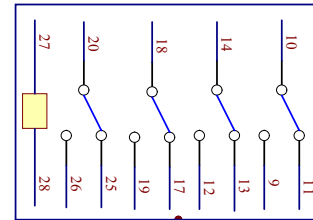
**Module terminal blocks
viewed from rear**

output contacts to module terminals							
10 9	10 11	14 12	14 13	18 19	18 17	20 26	20 25
M	B	M	B	M	B	M	B

Contact description

M:Make

B:Break



Viewed from inside

V* : 110 Vdc

* High Speed trip relay:

- a) 6 connect to -110dc
- b) 27 use to trip

Operation Time for 52v dc:4.2 msec

Operation Time for 110v dc:2.5 msec

Minimum essential Time for Relay stimulant :3 msec

Title		
ETA042H		
Date :	Number	Revision
99/1/20	page 1/1	V001
checked By:Dastjerdi		Approved By: Araghi